



Metrologic
We really work for you.™

IS3480 Quantum E™

QuantumE™ is a compact, omnidirectional bar code scanner ideal for integration with Original Equipment Manufacturer (OEM) devices.

Metrologic's QuantumE is a combination omnidirectional and single-line laser bar code scanner. The omnidirectional scan pattern offers outstanding scan performance on all standard 1D bar code symbologies, including RSS. The button-activated single line mode aids in scanning items that contain multiple bar codes or when selecting bar codes from menu-style price sheets.

QuantumE is designed for integration with a variety of devices including interactive kiosks, price lookup systems, ATM's, reverse vending machines, controlled access, or a host of other Original Equipment Manufacturer (OEM) devices. The scanner's main cable connector is located at the top of the unit to facilitate mounting and the auxiliary connector gives users access to several

of the I/O signals, providing the flexibility for external hookup of beepers, buttons, and LED's.

The unique shape of QuantumE allows the unit to be mounted in slim profile systems, taking up as little space as a typical flat screen monitor. In addition, QuantumE features a sweet-spot mode that audibly indicates the best mounting location for optimum scanning in a fixed application. Most importantly, the QuantumE is equipped with powerful and cost saving features such as easy programming, user replaceable cables and upgradeable software that protects your investment.



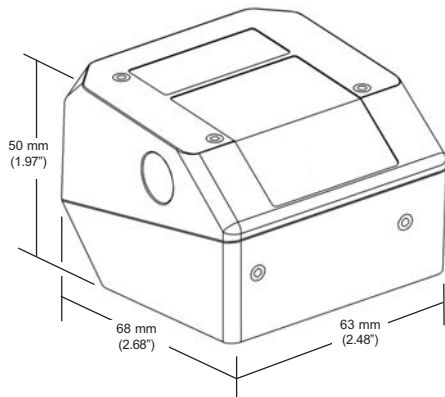
www.metrologic.com/IS3480

FEATURES

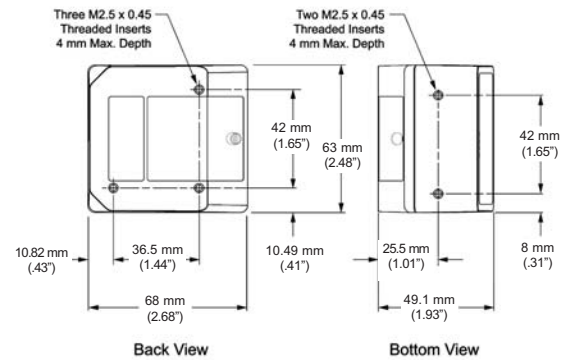
- Automatic scanning operation
- Programmable depth of field
- Single-line mode
- Sweet spot mode
- Flash ROM

BENEFITS

- Simply present a bar code and the unit scans in a single pass
- Customize the scan field for small POS areas eliminating inadvertent scans
- Facilitates scanning of items with multiple bar codes, including menus
- Provides the user feedback on how well the unit is scanning a bar code in the scan zone
- Using the MetroSet2® utility, the scanner's firmware can be upgraded using a personal computer



Mounting Holes



OPERATIONAL

Light Source	Visible Laser Diode 650 nm
Laser Power	1.1 mW (peak)
Decode Capability	Autodiscriminates all standard 1D bar codes, including GS1 DataBar™, for other symbologies call Metrologic
System Interfaces	RS232, Light Pen Emulation, Keyboard Wedge, Stand Alone Keyboard, IBM 468x/469x, USB, Laser Emulation, OCIA
Number Characters Read	Up to 80 data characters
Beeper Operation	7 tones or no beep
Indicators	Blue = laser on, ready to scan White = good read

MECHANICAL

Length	50 mm (1.97")
Width	63 mm (2.48")
Height	68 mm (2.68")
Weight	170 g (6 oz)
Termination	10 position modular RJ45 connector
Cable	Standard 2.1 m (7') straight; optional 2.7 m (9') coiled for other cables call Metrologic
Mounting Holes	Five - M2.5 x 0.45 threaded inserts, 4 mm (0.16") maximum depth

ELECTRICAL

Input Voltage	5 VDC ± 0.25 V
Power	1.375 W
Operating Current	275 mA typical @ 5 VDC
DC Transformers	Class 2; 5.2 VDC @ 650 mA
Laser Class	Class 1; IEC60825-1:1993/A1:1997 + A2:2001 Class 1; EN60825-1:1994/A11:1996 + A2:2001
EMC	FCC, ICES-003 & EN55022 Class B

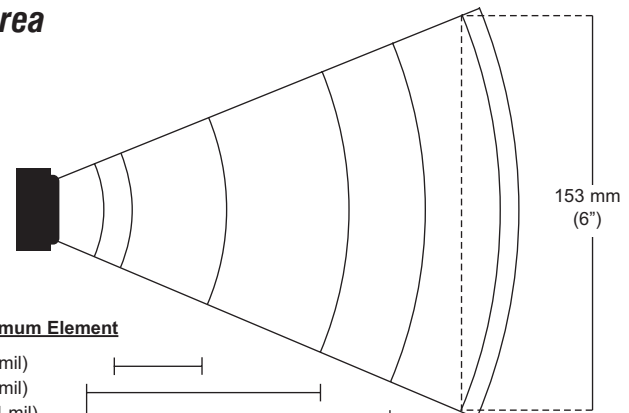
ENVIRONMENTAL

Operating Temperature	-20°C to 40°C (-4°F to 104°F)
Storage Temperature	-40°C to 60°C (-40°F to 140°F)
Humidity	5% to 95% relative humidity, non-condensing
Light Levels	Up to 4842 Lux (450 footcandles)
Contaminants	Sealed to resist airborne particulate contaminants
Ventilation	None required

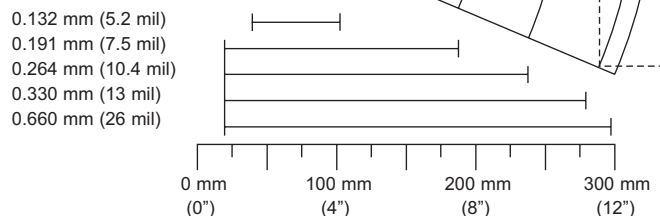
SCAN PERFORMANCE

Depth of Scan Field (programmable)	25 mm - 279 mm (1" - 11") for 0.33 mm (13 mil) bar code at default setting
Width of Scan Field	30 mm (1.2") @ 25 mm (1"); 150 mm (5.9") @ 280 mm (11")
Scan Speed	1650 scan lines/sec, omnidirectional; 80 scan lines/sec, single line
Scan Pattern	5 fields of 4 parallel lines omnidirectional; or button activated single line
Number of Scan Lines	20 (omnidirectional); or 1 (single-line)
Minimum Bar Width	0.127 mm (5 mil)
Print Contrast	35% minimum reflectance difference
Roll, Pitch, Yaw	360°, 60°, 60°

Scan Area



Bar Code Minimum Element



Product Colors Available



Black

IS3480 is available in a variety of other colors with minimum quantity purchase



Revision: D + above



Sunrise 2005 Compliant

ISO 9001:2000

Specifications subject to change without notice. Printed U.S.A. Copyright January 2008 Metrologic, All rights reserved.



Metrologic Instruments, Inc. | **Worldwide Headquarters**
 90 Coles Road | Blackwood, NJ 08012-4683 | info@metrologic.com
 Telephone 856-228-8100 | Fax 856-228-6673 | www.metrologic.com

Asian Headquarters Tel. 65.6842.7155 info@sg.metrologic.com	European Headquarters Tel. 49.89.89019.0 info@eu.metrologic.com	The Americas Headquarters Tel. 1.800.ID.METRO info@us.metrologic.com
--	--	---



DS3480